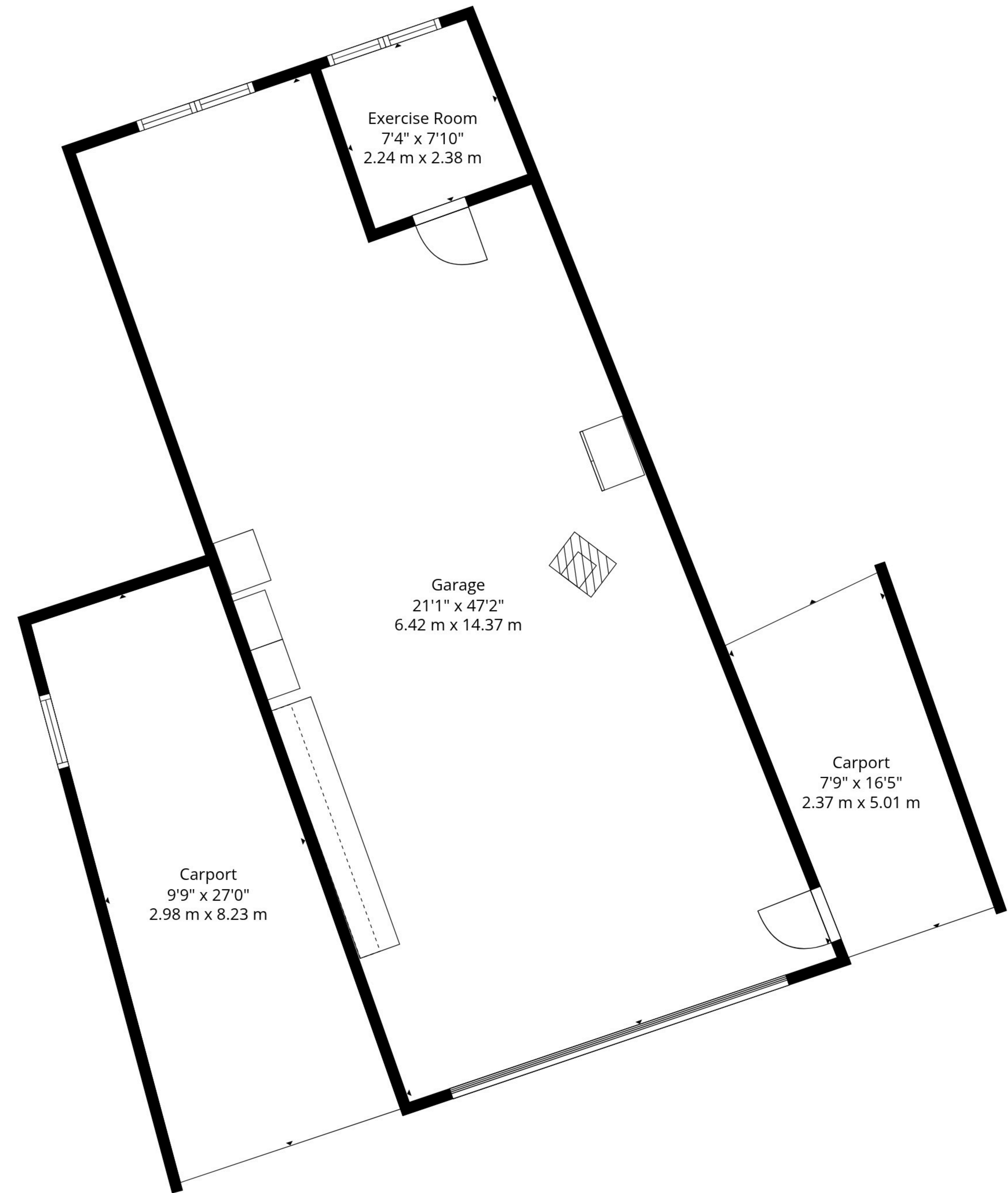
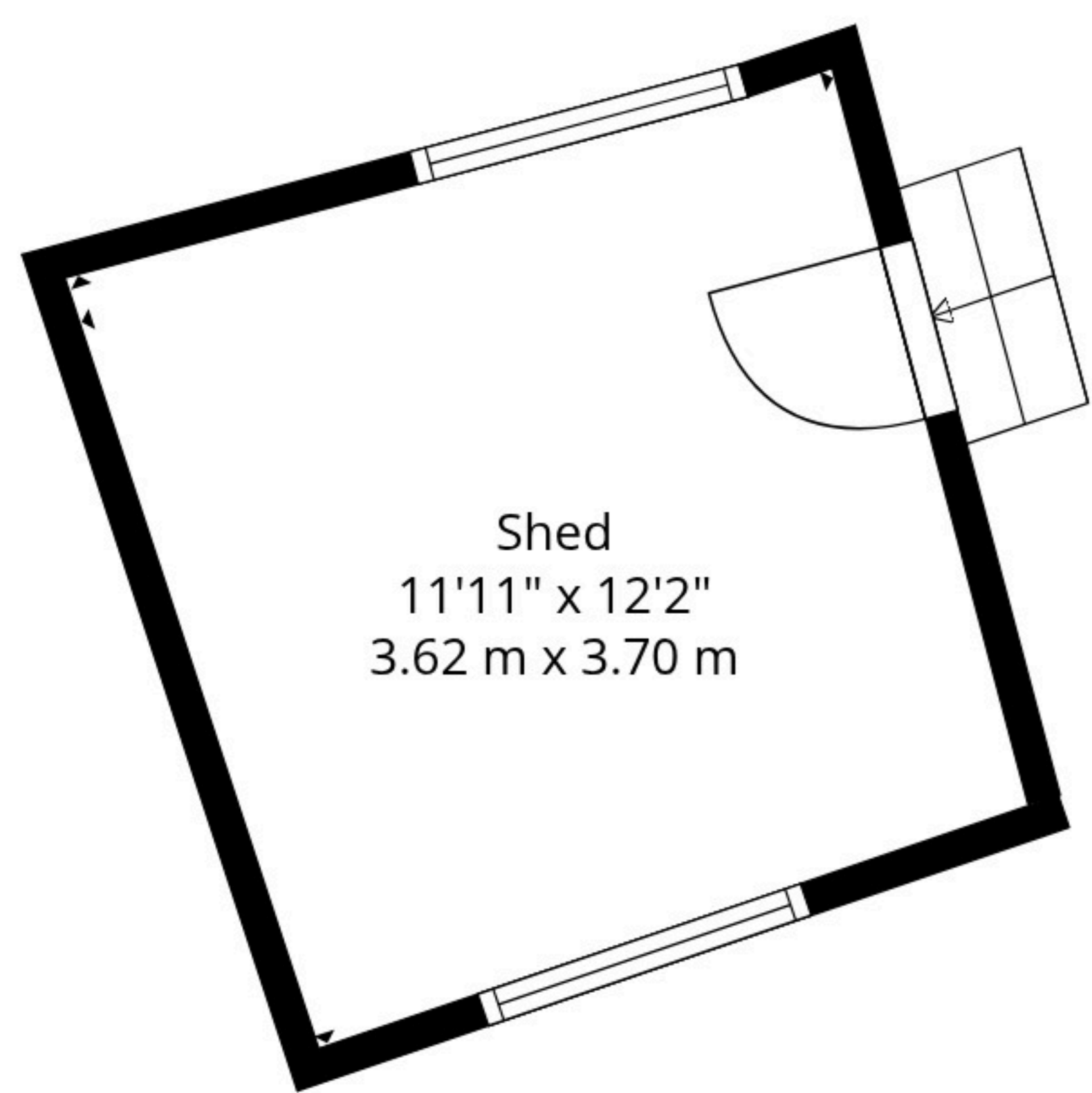


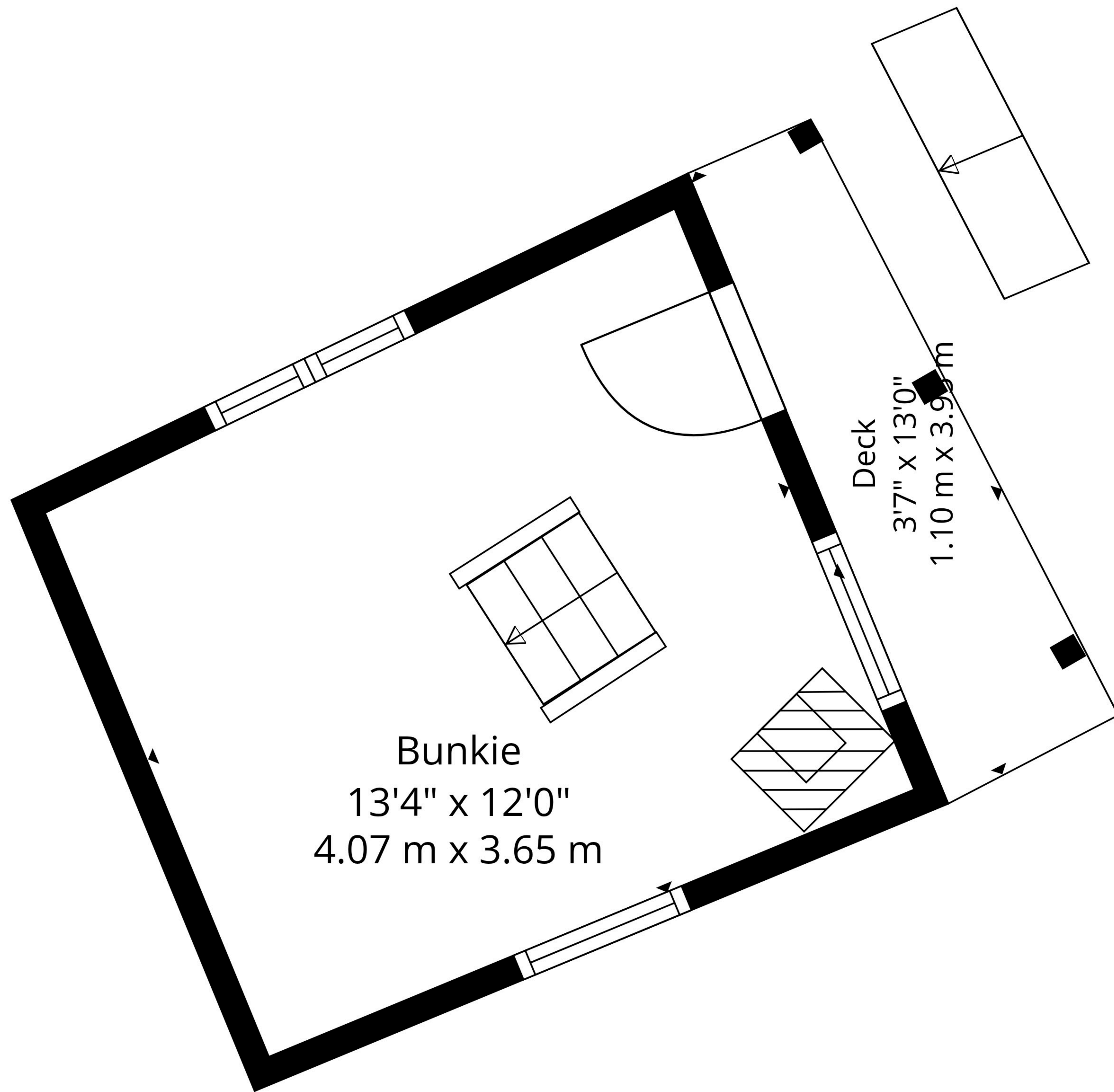
Total GLA: 1892 sq. ft, 176 m2 | Total: 5403 sq. ft, 503 m2
 1st floor: 1892 sq. ft, 176 m2 (Excluded areas 1475 sq. ft, 138 m2)
 2nd floor: 0 sq. ft, 0 m2 (Excluded areas 1599 sq. ft, 148 m2)
 3rd floor: 0 sq. ft, 0 m2 (Excluded areas 222 sq. ft, 21 m2)
 4th floor: 0 sq. ft, 0 m2 (Excluded areas 215 sq. ft, 20 m2)





Total GLA: 1892 sq. ft, 176 m2 | Total: 5403 sq. ft, 503 m2
 1st floor: 1892 sq. ft, 176 m2 (Excluded areas 1475 sq. ft, 138 m2)
 2nd floor: 0 sq. ft, 0 m2 (Excluded areas 1599 sq. ft, 148 m2)
 3rd floor: 0 sq. ft, 0 m2 (Excluded areas 222 sq. ft, 21 m2)
 4th floor: 0 sq. ft, 0 m2 (Excluded areas 215 sq. ft, 20 m2)



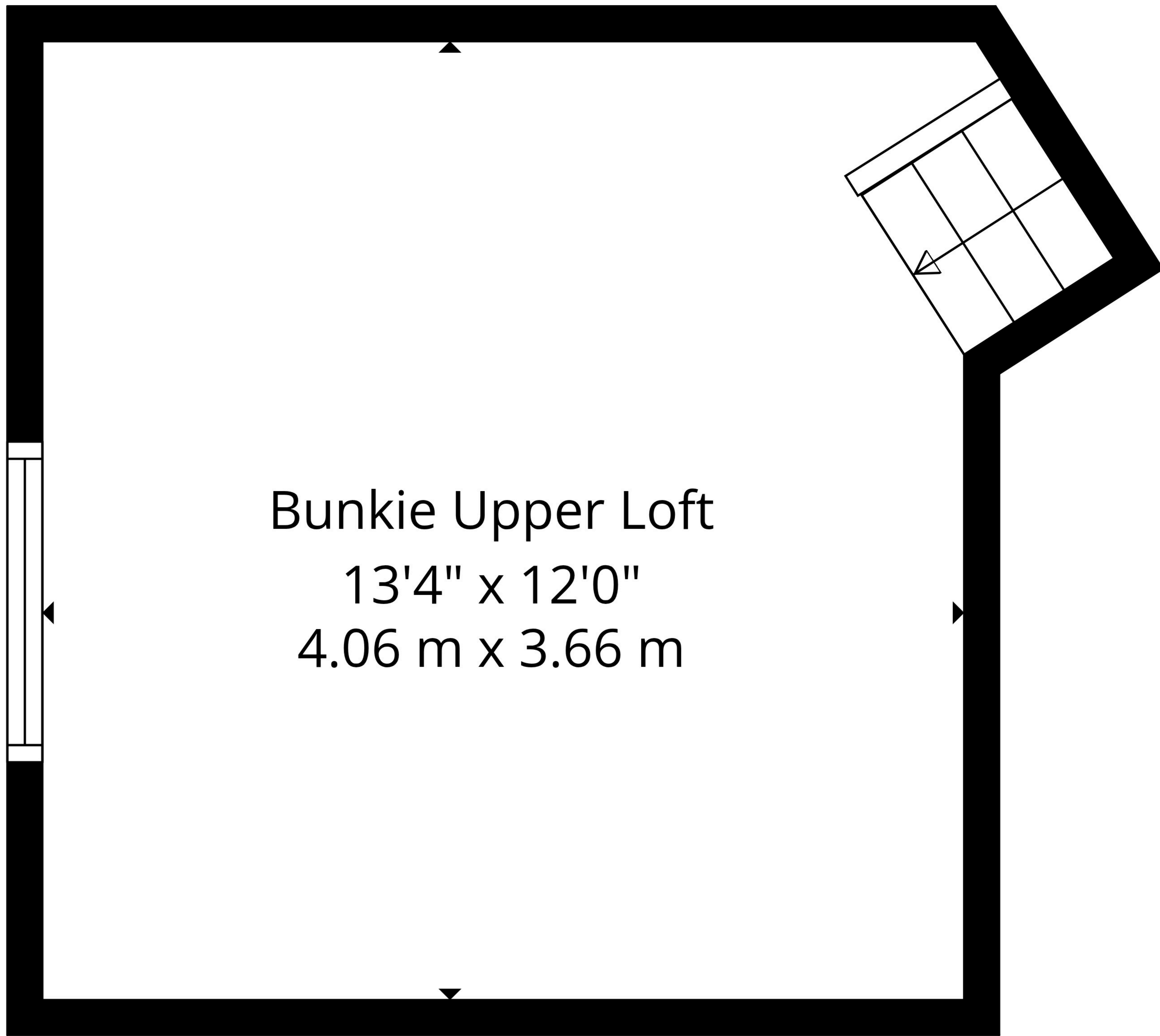


Bunkie
 13'4" x 12'0"
 4.07 m x 3.65 m

Deck
 3'7" x 13'0"
 1.10 m x 3.96 m

Total GLA: 1892 sq. ft, 176 m2 | Total: 5403 sq. ft, 503 m2
 1st floor: 1892 sq. ft, 176 m2 (Excluded areas 1475 sq. ft, 138 m2)
 2nd floor: 0 sq. ft, 0 m2 (Excluded areas 1599 sq. ft, 148 m2)
 3rd floor: 0 sq. ft, 0 m2 (Excluded areas 222 sq. ft, 21 m2)
 4th floor: 0 sq. ft, 0 m2 (Excluded areas 215 sq. ft, 20 m2)





Bunkie Upper Loft

13'4" x 12'0"

4.06 m x 3.66 m

Total GLA: 1892 sq. ft, 176 m2 | Total: 5403 sq. ft, 503 m2

1st floor: 1892 sq. ft, 176 m2 (Excluded areas 1475 sq. ft, 138 m2)

2nd floor: 0 sq. ft, 0 m2 (Excluded areas 1599 sq. ft, 148 m2)

3rd floor: 0 sq. ft, 0 m2 (Excluded areas 222 sq. ft, 21 m2)

4th floor: 0 sq. ft, 0 m2 (Excluded areas 215 sq. ft, 20 m2)

