

# Conway, NH : Residential Property Record Card

[ [Back to Search Results](#) ]

[ [Start a New Search](#) ] [ [Help with Printing](#) ]

## Search For Properties

<b>Map Block Lot</b>	<b>Name</b>	<b>Street #</b>	<b>Street Name</b>		
<input type="text"/>	<input type="text"/>	<input type="text"/>	<input type="text"/>	<input type="button" value="Search"/>	<input type="button" value="Reset Search"/>

<b>Parcel ID#</b>	<b>Card</b>	<b>Map-Block-Lot</b>	<b>Location</b>	<b>Zoning</b>	<b>State Class</b>	<b>Acres</b>
28536	1	265-161.348	00082 POLIQUIN DR	RA	102 - CONDOMINIUM	0.000
<b>Living Units</b>	<b>District</b>					
1	9					

## Owner Information

Kiesman Kathleen A  
82 Poliquin Drive  
Conway NH 03818

## Deed Information

**Book/Page:** 3705/947  
**Deed Date:** 2021/05/13

## Dwelling Information

**Style:** Condo  
**Story Height:** 1  
**Attic:** None  
**Basement:** Pier/Slab  
**Year Built:** 2021  
**Ground Flr Area:** 2012  
**Tot Living Area:** 2012  
**Rooms:** 5  
**Bedrooms:** 3  
**Full Baths:** 3  
**Half Baths:** 0

## Property Picture



## Valuation

**Land:** \$0  
**Building:** \$583,000  
**Total:** \$583,000  
**Net Assessment:** \$583,000

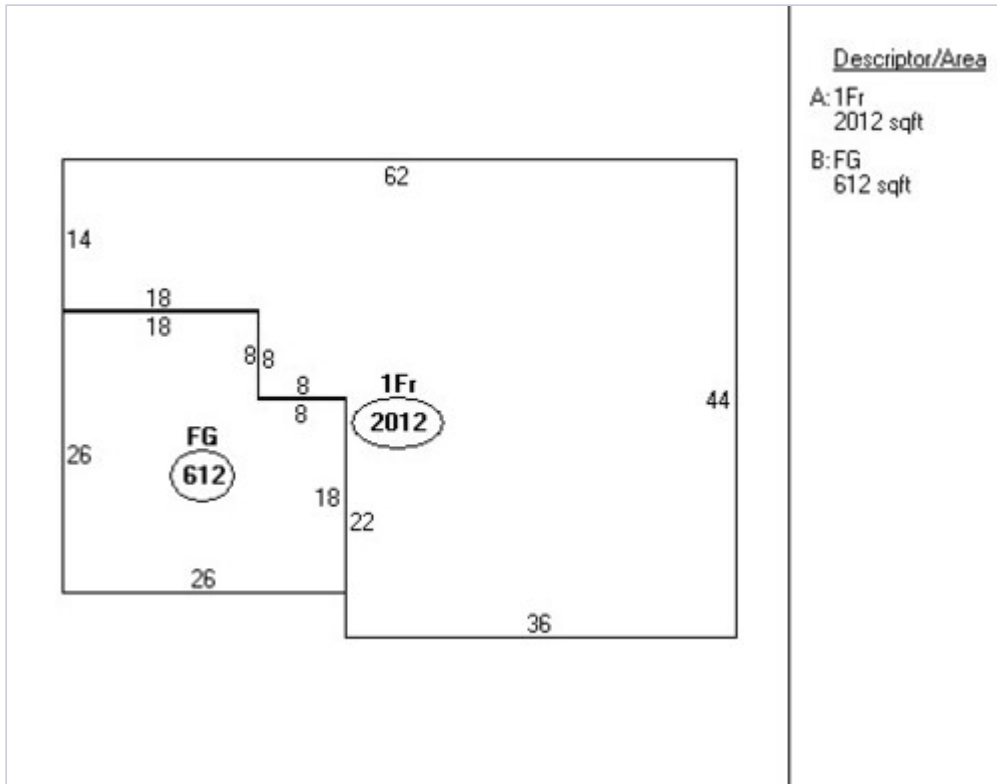
## Sales History

Book/Page	Date	Price	Type	Validity
3705/947	2022/12/29	\$0	Land + Bldg	39
3512/746	2020/06/26	\$47,000	Land Only	99
3589/969	2021/05/13	\$0	Land + Bldg	40

## Out Building Information

Type	Qty	Year	Size1	Size2	Grade	Cond	Value
------	-----	------	-------	-------	-------	------	-------

## Building Sketch



**Notice**

### Tax Year 2025 Final Values

The information delivered through this on-line database is provided in the spirit of open access to government information and is intended as an enhanced service and convenience for citizens of Conway, NH.

The providers of this database: Tyler, Big Room Studios, and Conway, NH assume no liability for any error or omission in the information provided here.

Comments regarding this service should be directed to: [chilton@conwaynh.org](mailto:chilton@conwaynh.org).

