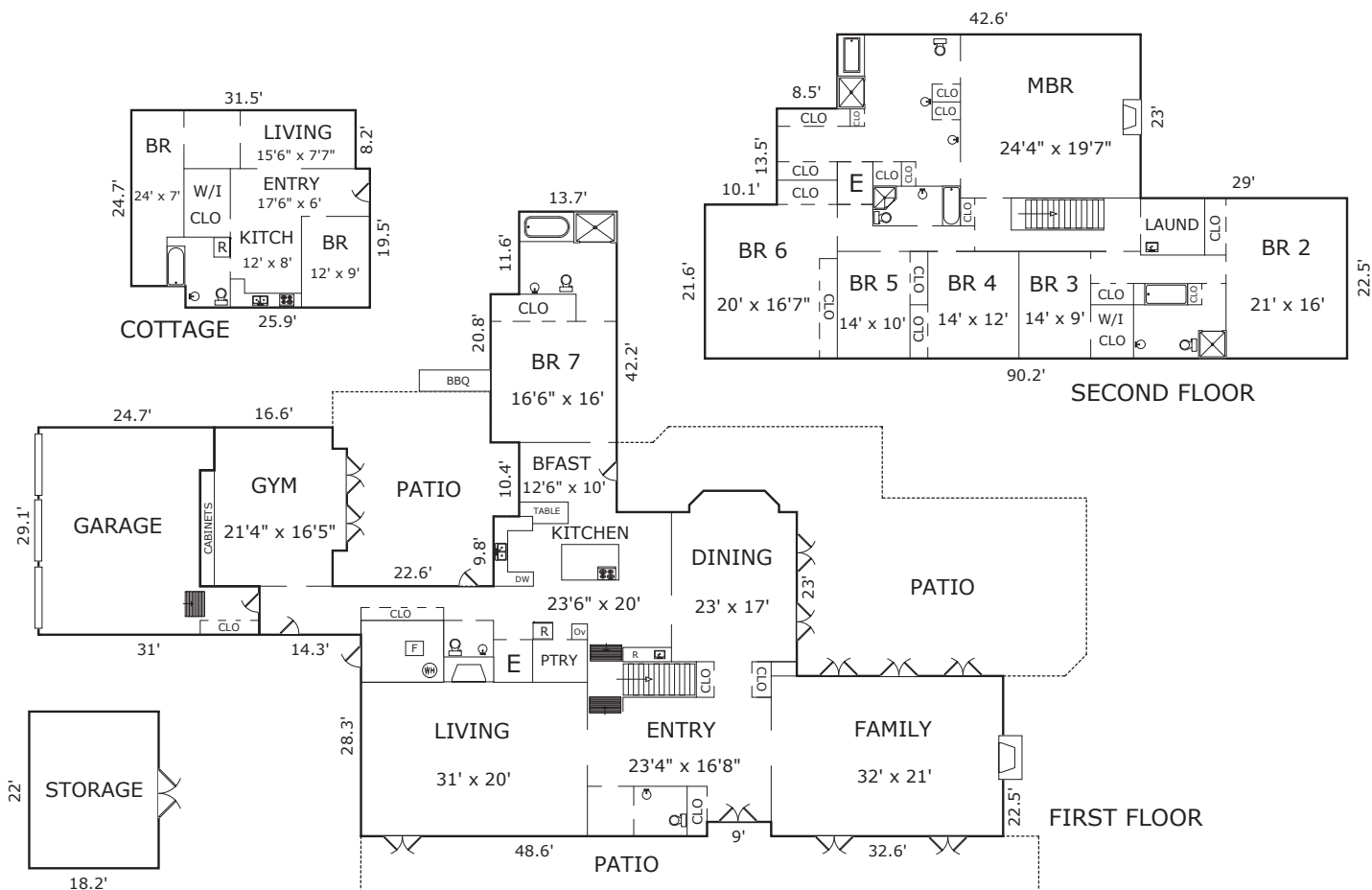


# 1450 MANOR ROAD, MONTEREY, CA 93940



## AREA CALCULATIONS (approximate)

First Floor:	4,447sf
Second Floor:	3,020
Cottage:	888
<b>Net Livable Area:</b>	<b>8,355sf</b>

Garage:	729
Storage:	400
Storage:	242
Patio:	1,389
Patio:	780